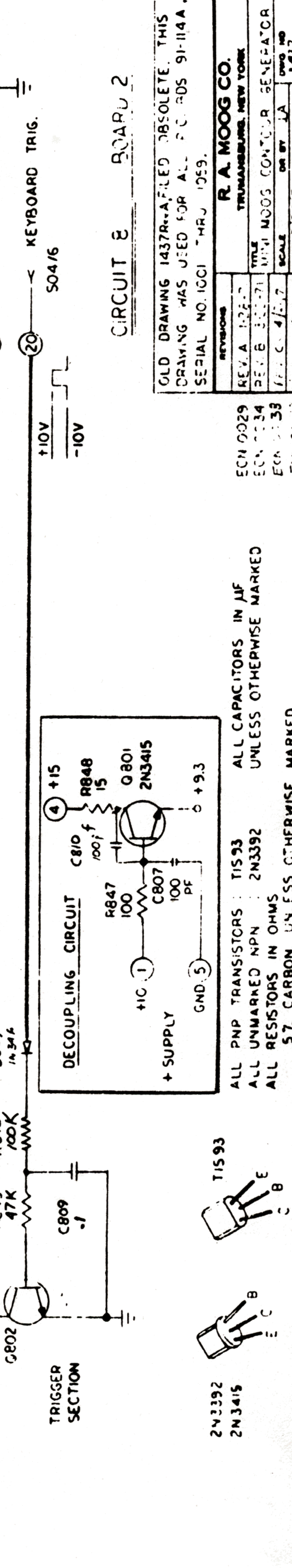
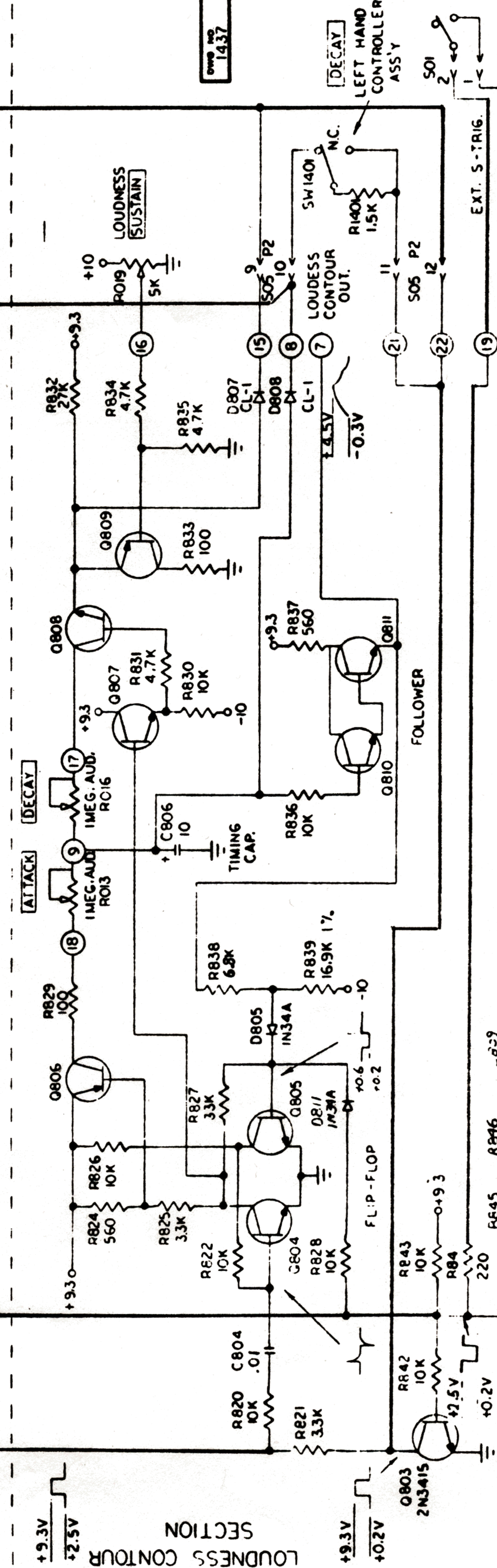
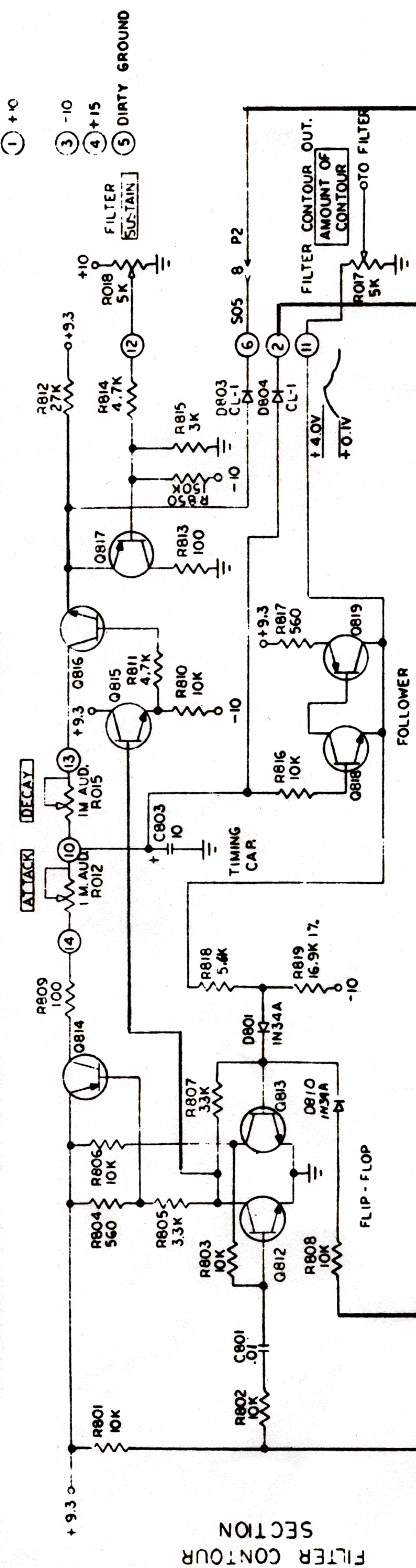


① +10

③ -10

④ +15

⑤ DIRTY GROUND



CIRCUIT 8 BOARD 2

OLD DRAWING 1437R-A FILED OBSOLETE. THIS DRAWING WAS USED FOR ALL PC BDS 91-114A. SERIAL NO. 1001 THRU 1059.

REV.	DATE	BY	CHKD BY
REV. A	1/22/57		
REV. B	3/22/57		
REV. C	4/22/57		
REV. D	4/22/57		

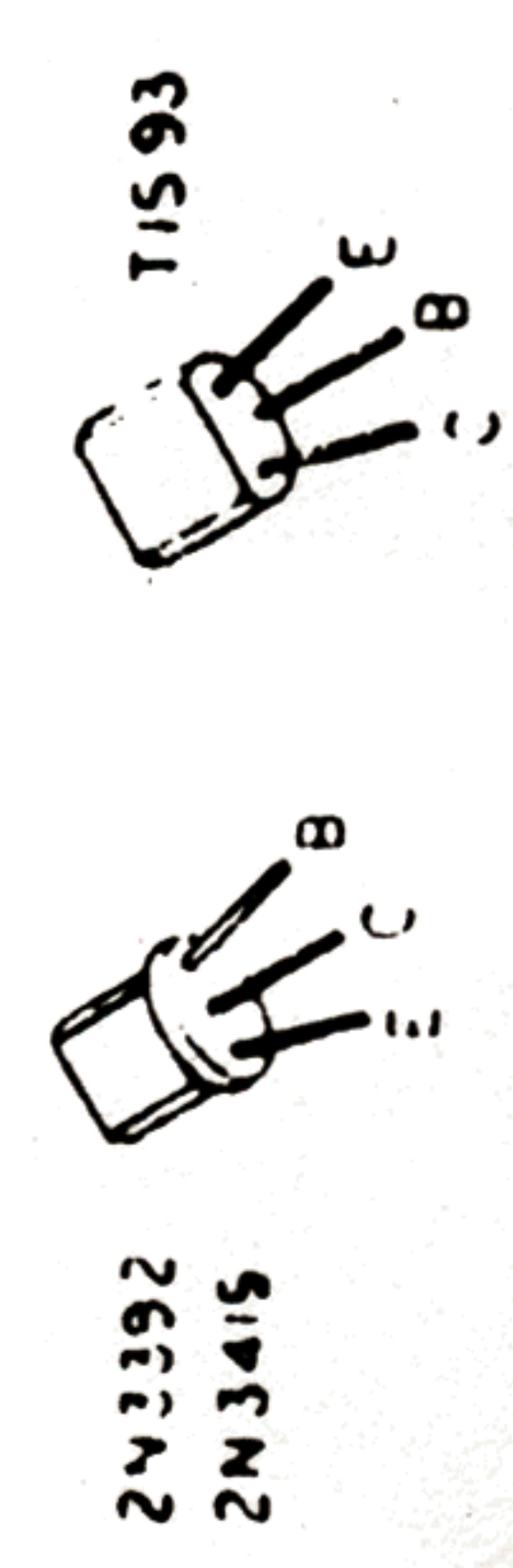
R. A. MOOG CO.  
TRUMBURG, NEW YORK

TITLE: MINI MOOGS CONTROLLER GENERATOR  
SCALE: OR BY JA  
DATE: 3/24/77  
CHKD BY: 1437

ECH 0029  
ECH 0034  
ECH 0038  
ECH 0039

ALL PNP TRANSISTORS: TIS 93  
ALL UNMARKED NPN: 2N3392  
ALL RESISTORS IN OHMS  
5% CARBON UNLESS OTHERWISE MARKED

ALL CAPACITORS IN  $\mu$ F  
UNLESS OTHERWISE MARKED

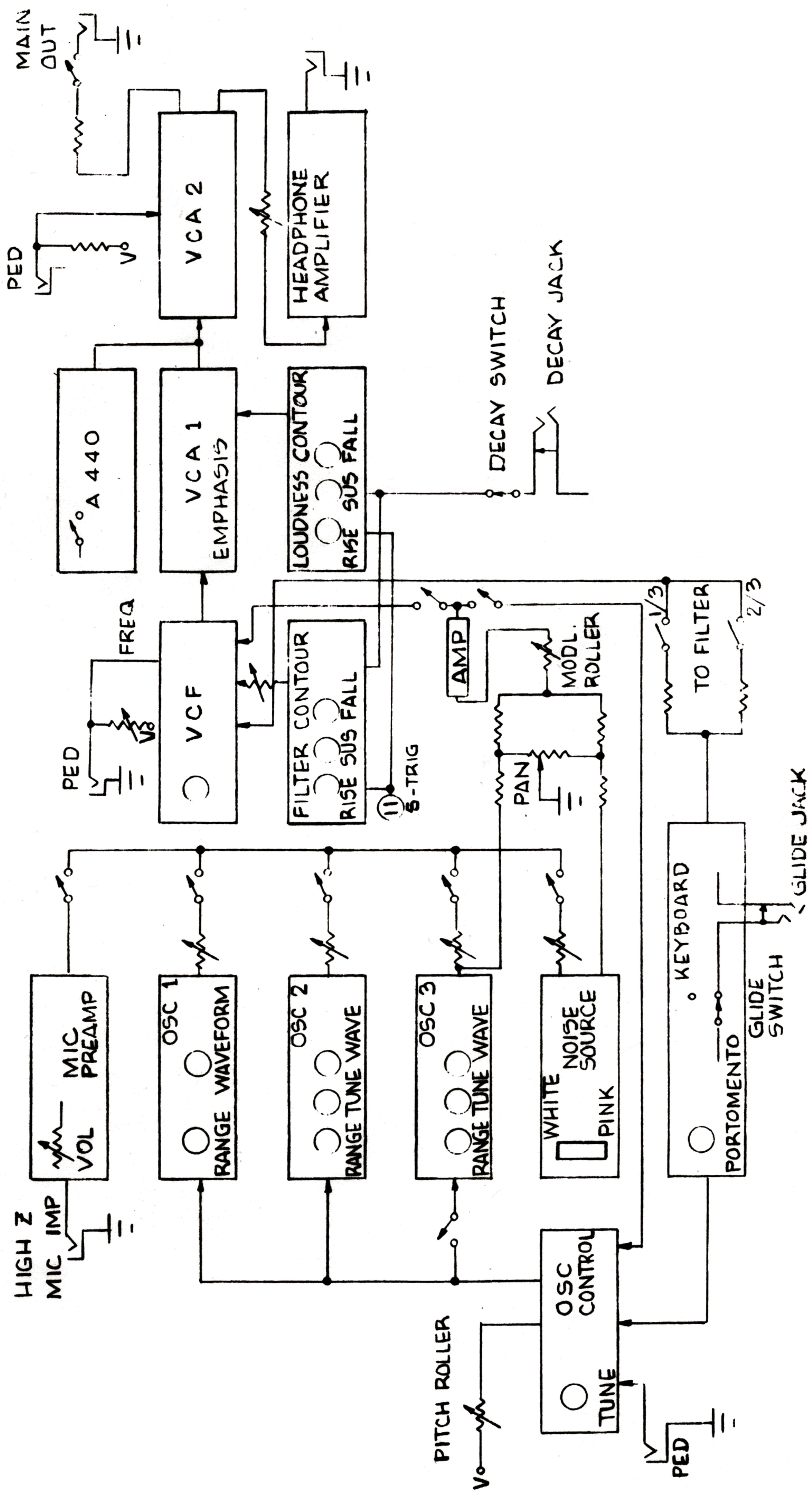


SECTION  
FILTER CONTOUR

SECTION  
LOUDNESS CONTOUR

SECTION  
TRIGGER

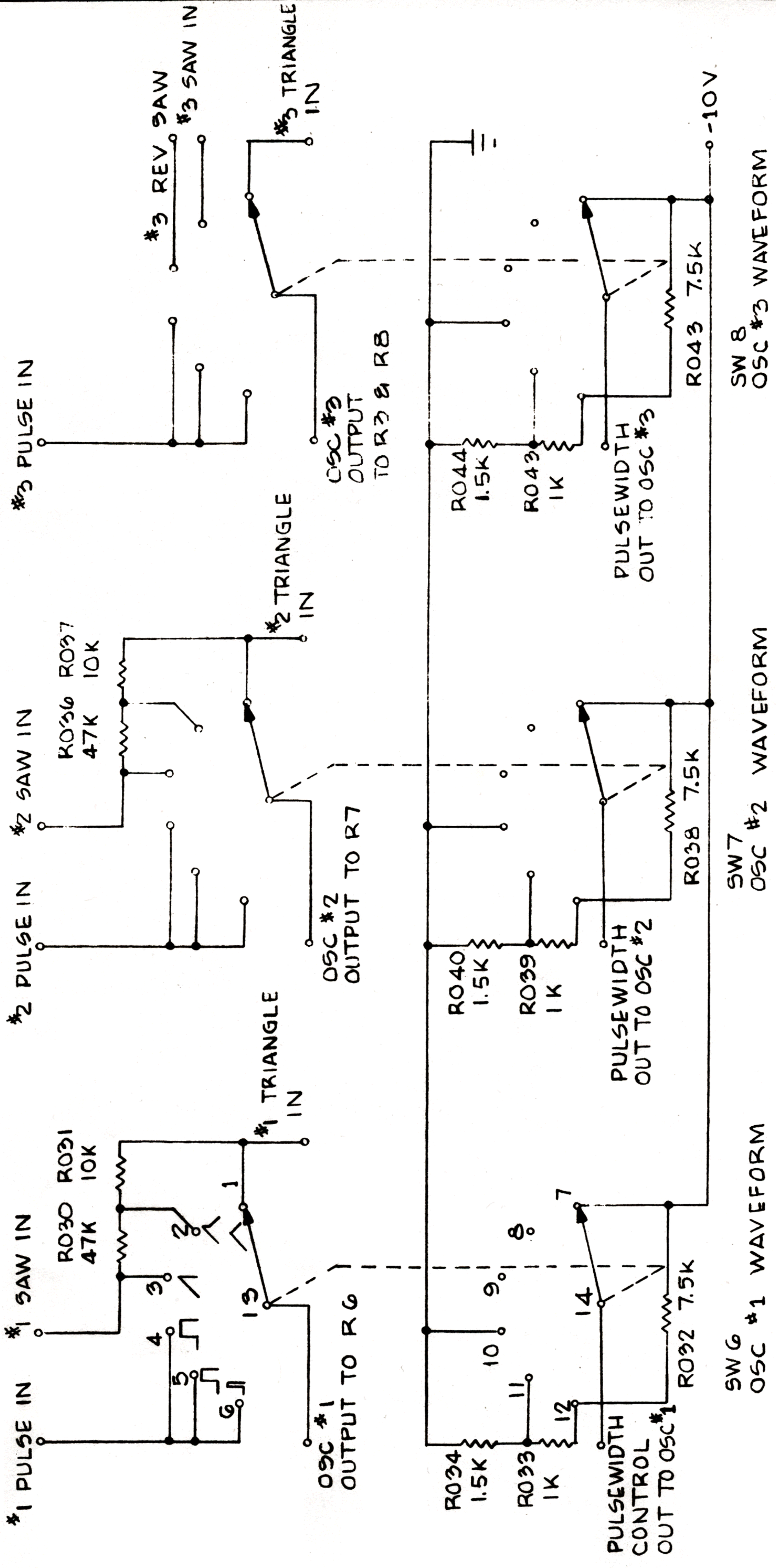
2N3392  
2N3415



960 SEQUENCER COMPATIBLE

ALL EXTERNAL CONTROLLERS (✓ AND (11)) ARE OPTIONAL EXTRAS.

REVISIONS	
<b>R. A. MOOG CO.</b>	
TRUMANSBURG, NEW YORK	
TITLE	MINI SYNTH BLOCK DIAG.
SCALE	DR. BY
DATE	CK'D. BY
	DWG. NO. 1429



CIRCUIT #000 FRONT PANEL

REVISIONS	DR. BY	CK'D. BY

R. A. MOOG CO.  
TRUMANSBURG, NEW YORK

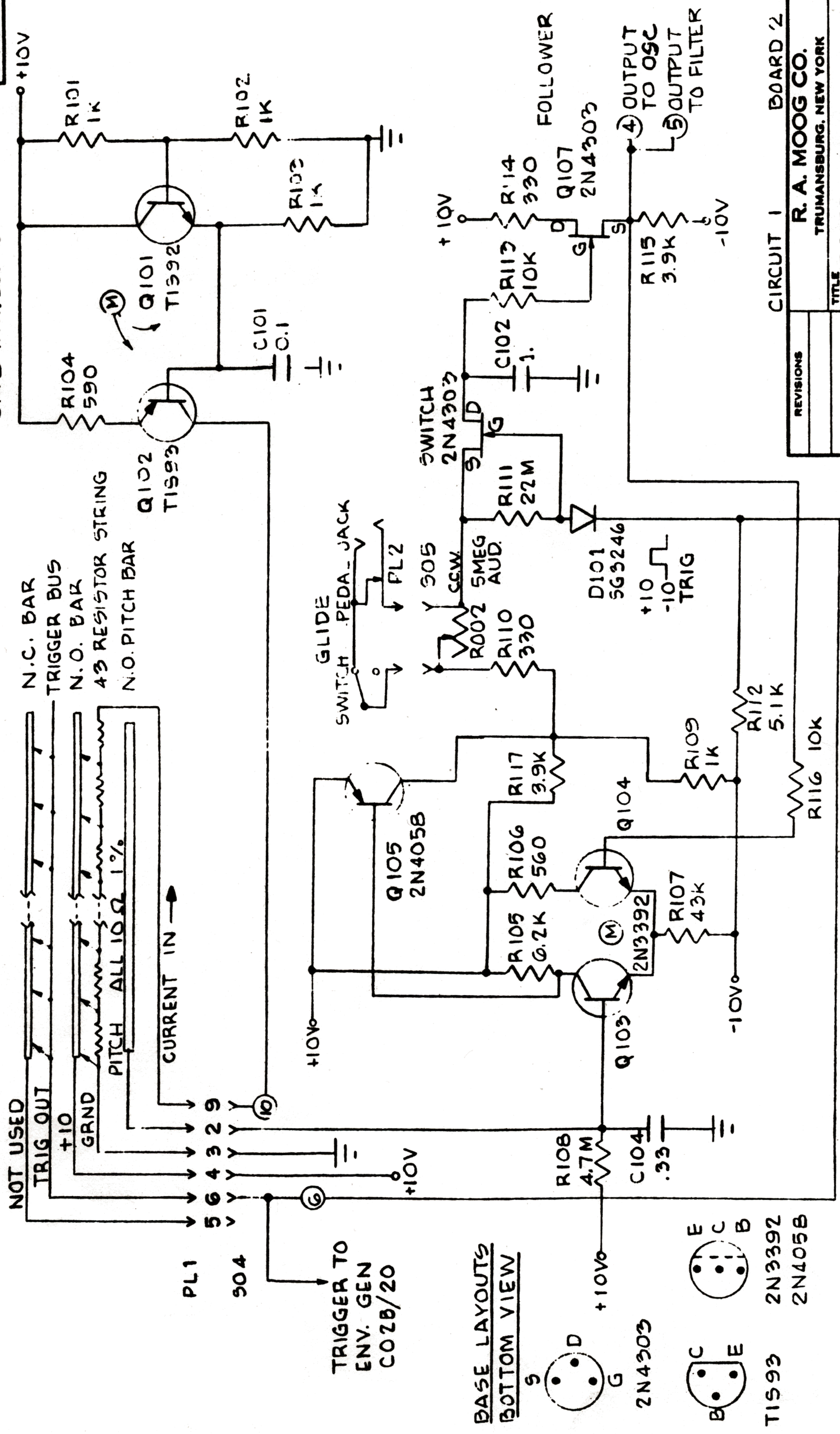
TITLE: WAVEFORM SWITCHING MINI'D'  
SCALE:      DATE:      DR. BY:      CK'D. BY:      DWG. NO. 1448

SW 6 OSC #1 WAVEFORM

SW 7 OSC #2 WAVEFORM

SW 8 OSC #3 WAVEFORM

3.48 Ma. SOURCE



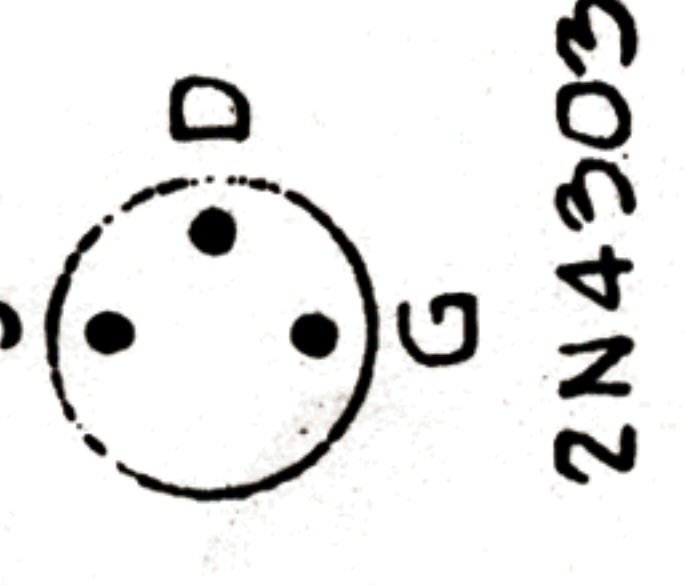
N.C. BAR  
TRIGGER BUS  
N.O. BAR  
43 RESISTOR STRING  
N.O. PITCH BAR

NOT USED  
TRIG OUT  
+10  
GRND  
PITCH ALL 10Ω 1%  
CURRENT IN

PL1  
5 6 4 3 2 9  
Y Y Y Y Y Y  
Y Y Y Y Y Y  
Y Y Y Y Y Y

TRIGGER TO  
ENV. GEN  
CO2B/20

BASE LAYOUTS  
BOTTOM VIEW



2N4303  
2N3392  
2N405B

REVISIONS

CIRCUIT 1 BOARD 2

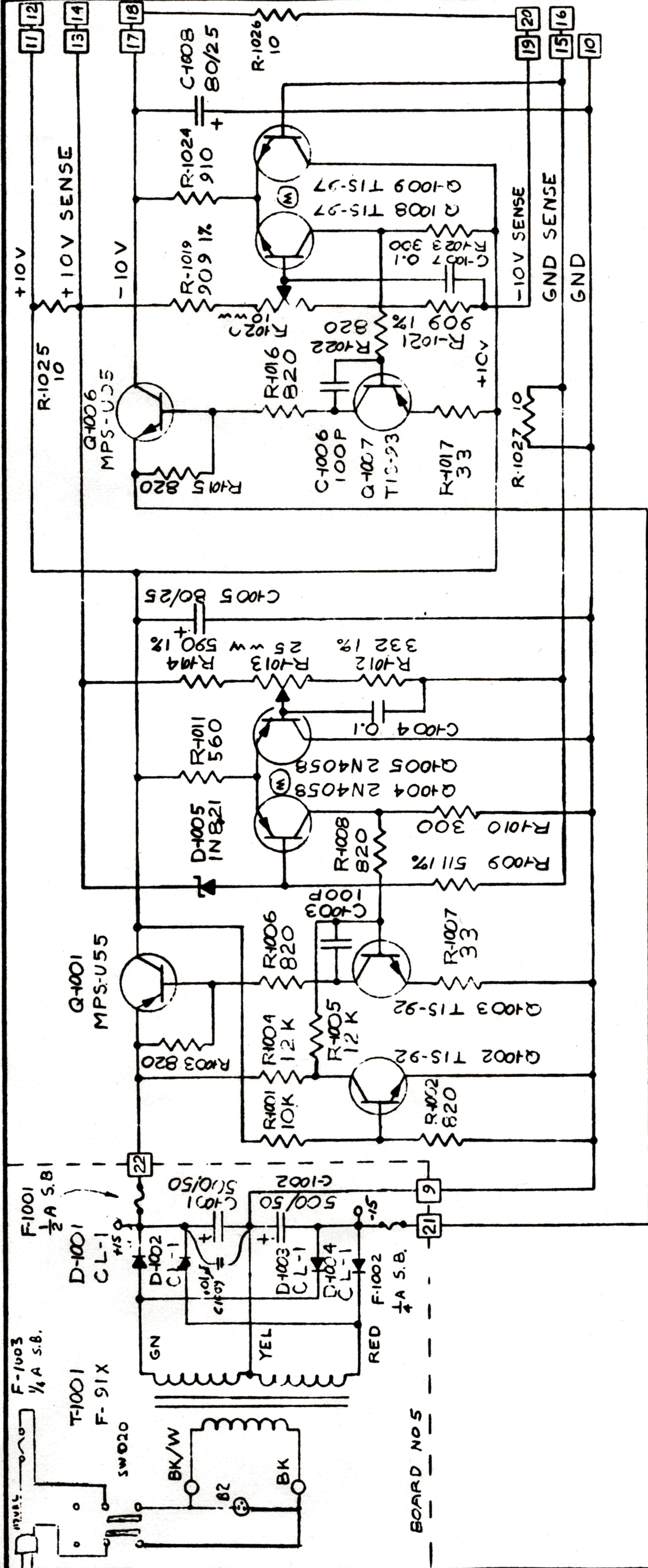
R. A. MOOG CO.  
TRUMANSBURG, NEW YORK

TITLE  
KEYBOARD CIRCUIT

SCALE  
DATE

DR. BY  
CKD. BY

NOTES 1. ALL EDGE CONNECTIONS MATE WITH CO2A  
2. ALL CAPACITOR VALUES IN MICROFARADS.



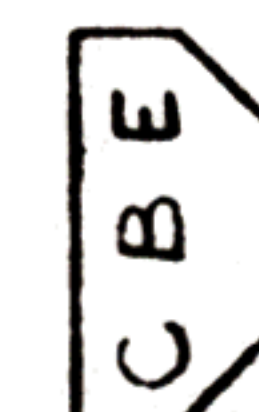
ALL CAPACITORS IN MICROFARADS UNLESS OTHERWISE NOTED  
 ALL RESISTORS IN OHMS 1/2 W  
 P.C. BOARD 91-115

Q-1004 & Q-1005 MATCHED & SUNK TOGETHER  
 Q-1006 & Q-1007 " " " "

BASE LAYOUTS

2N4058  
 TIS 92  
 TIS 93  
 TIS 97

MPS U05  
 MPS U55



CIRCUIT 10 BOARD NO.3 91-115

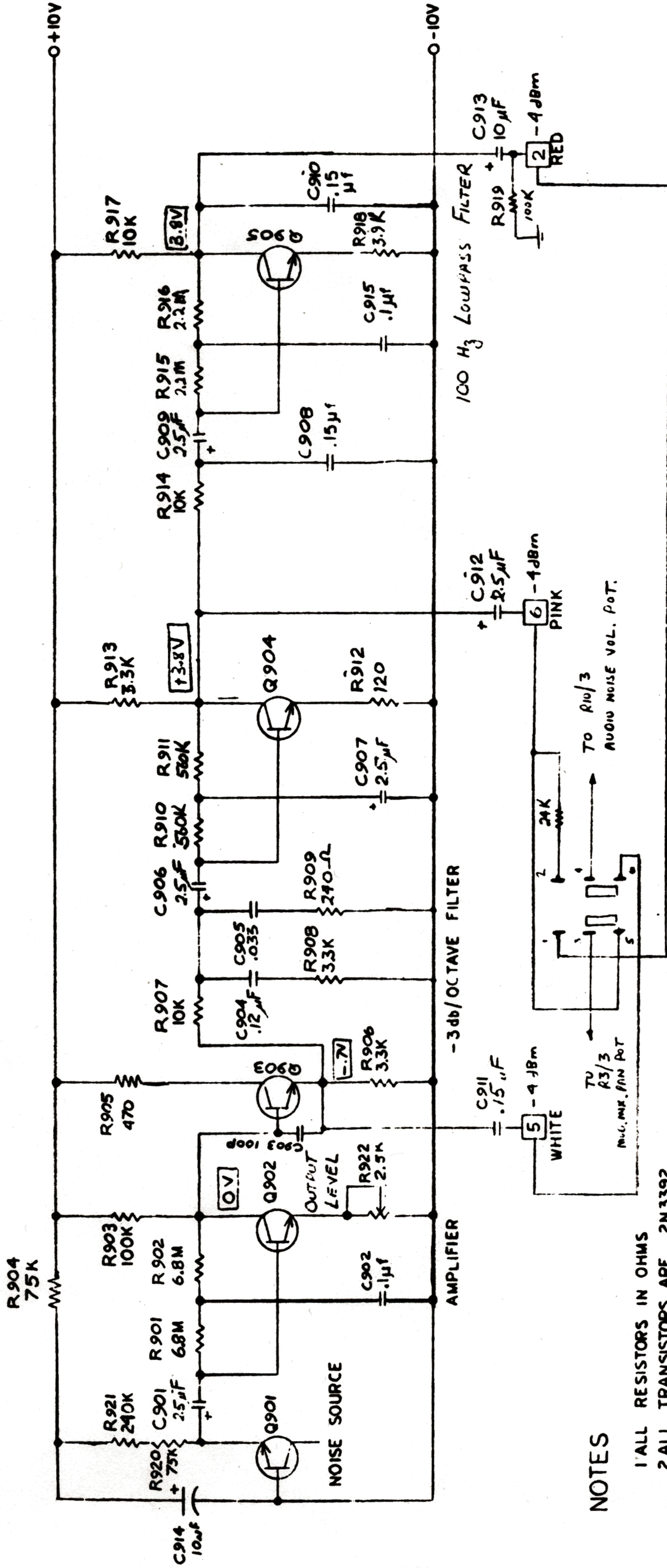
REVISIONS  
 REV A 4/2/71

ECN 0036

R. A. MOOG CO.  
 TRUMANSBURG, NEW YORK  
 TITLE POWER SUPPLY, MIN-D  
 SCALE -- DR BY CLH DWG. NO.  
 DATE 11-9-70 CK'D. BY VPRH 1435

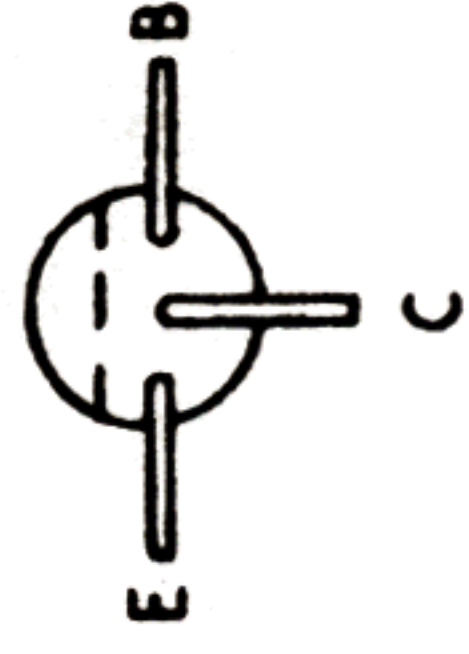
ALL D.C. VOLTAGES  $\pm 3V$

- 1 +10
- 2 GND
- 3 -10



NOTES

- 1 ALL RESISTORS IN OHMS
- 2 ALL TRANSISTORS ARE 2N3392 (Q901 IS SELECTED)

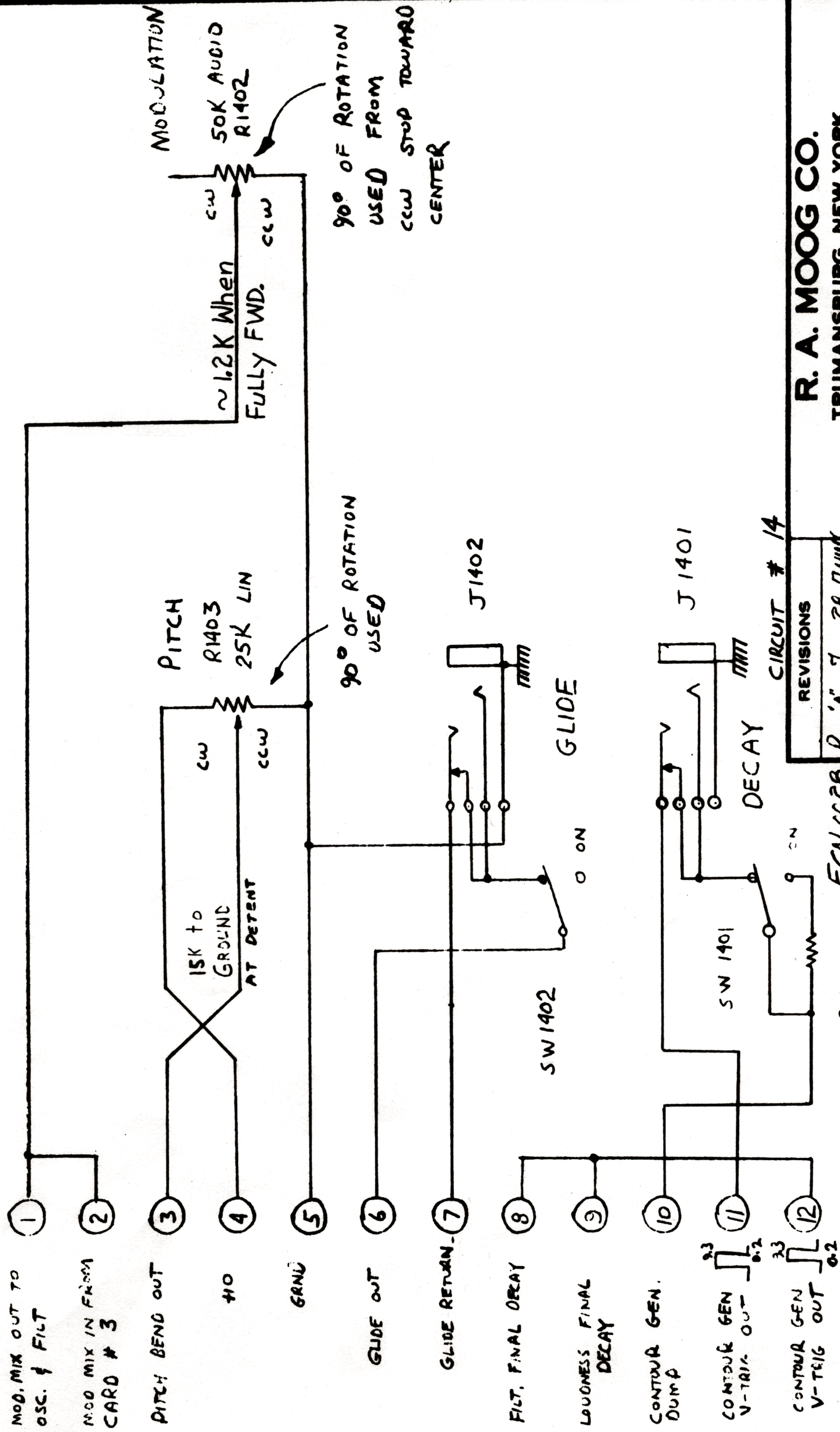


2N3392 BOTTOM VIEW

REVISIONS

R. A. MOOG CO.	
TRUMANSBURG, NEW YORK	
TITLE RANDOM SIGNAL GENERATOR (FOR THE MINI SYN.)	
SCALE	DR. BY JA
DATE 11/3/70	CK'D. BY
DWG. NO. 1431	

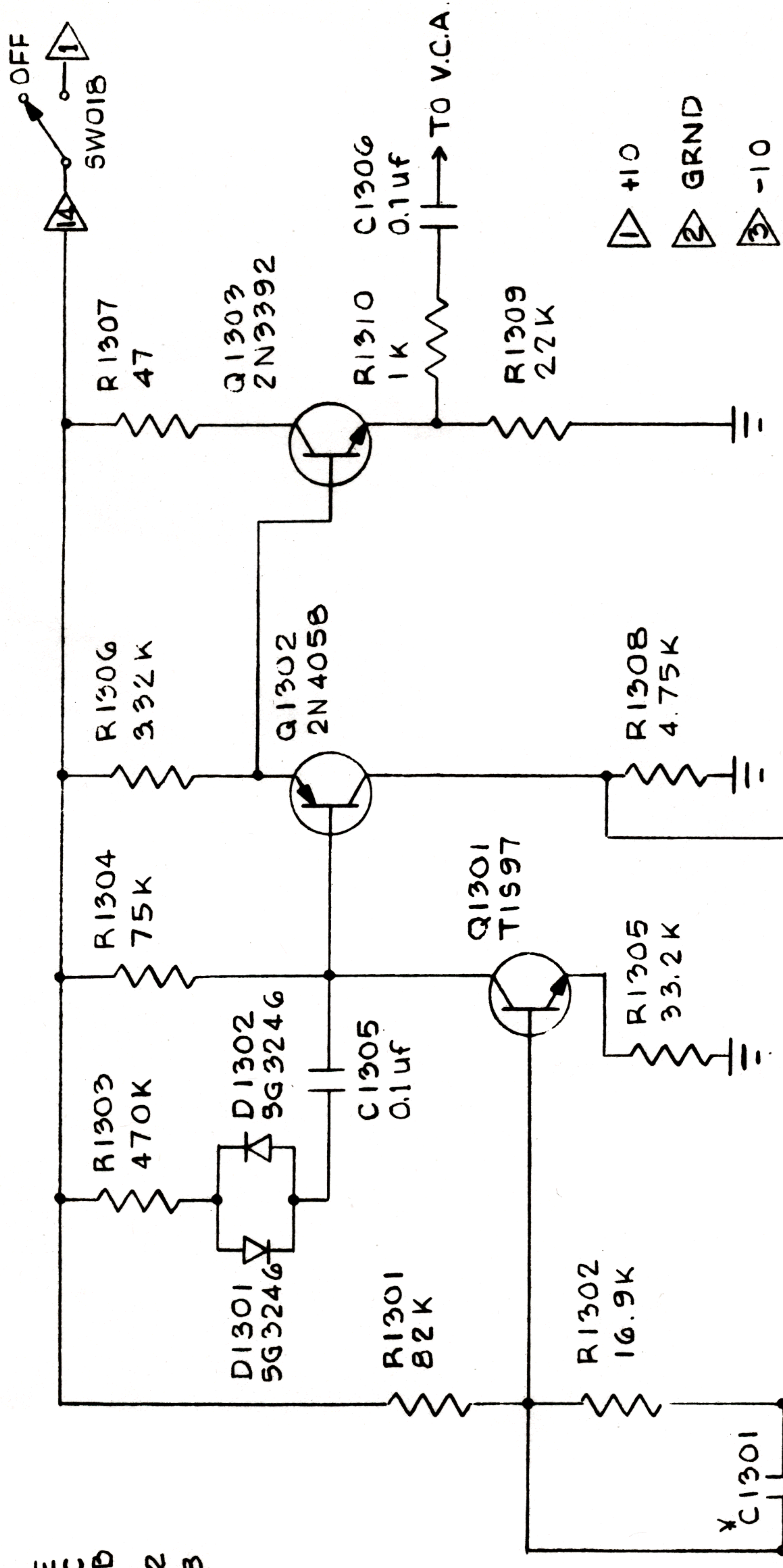
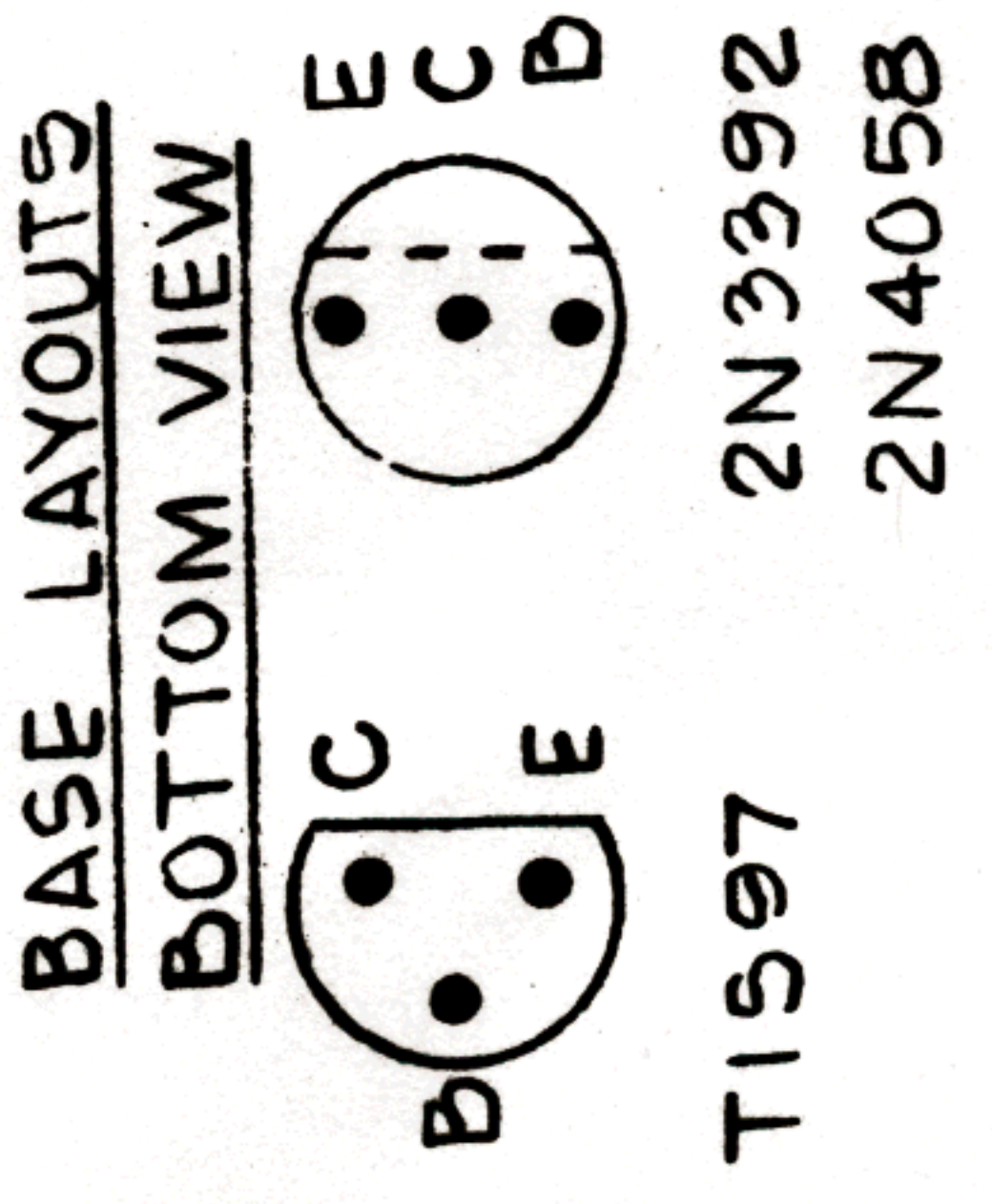
PL-2 12 PIN CINCH JONES PLUG



REVISIONS
Rev A Jan 28, 7/1971
ECN 0044 7/1971

ECN 0028  
REV B  
R1401  
1.5K

R. A. MOOG CO.	
TRUMANSBURG, NEW YORK	
TITLE MINI D	LEFT HAND CONTROLLER
SCALE DR. BY JLS	DATE
DWG. NO. 1449	CK'D. BY



**\*NOTE:**  
 C1303 + C1304 = .0307 ± 1%  
 C1301 + C1302 = .0307 ± 1%

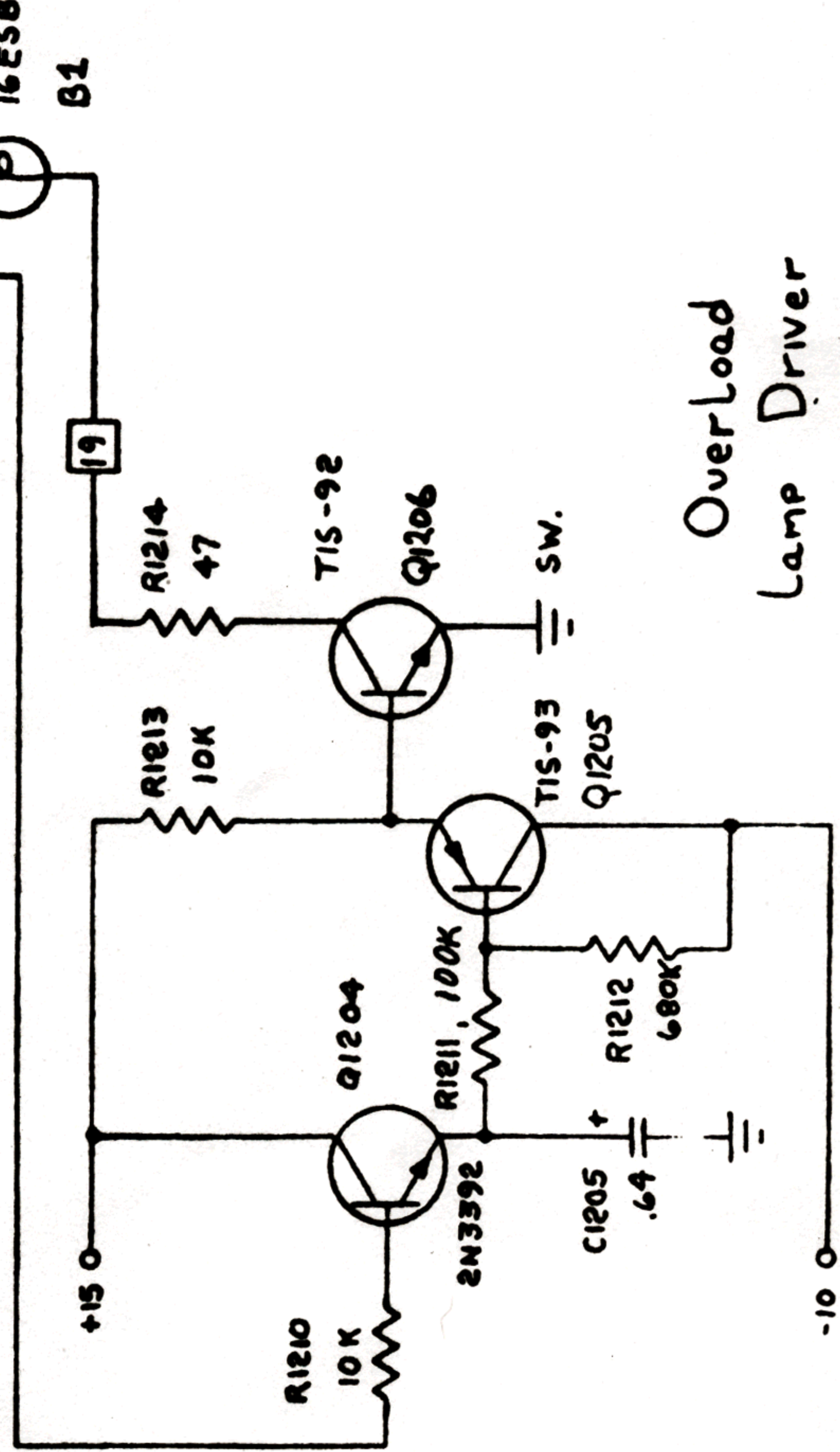
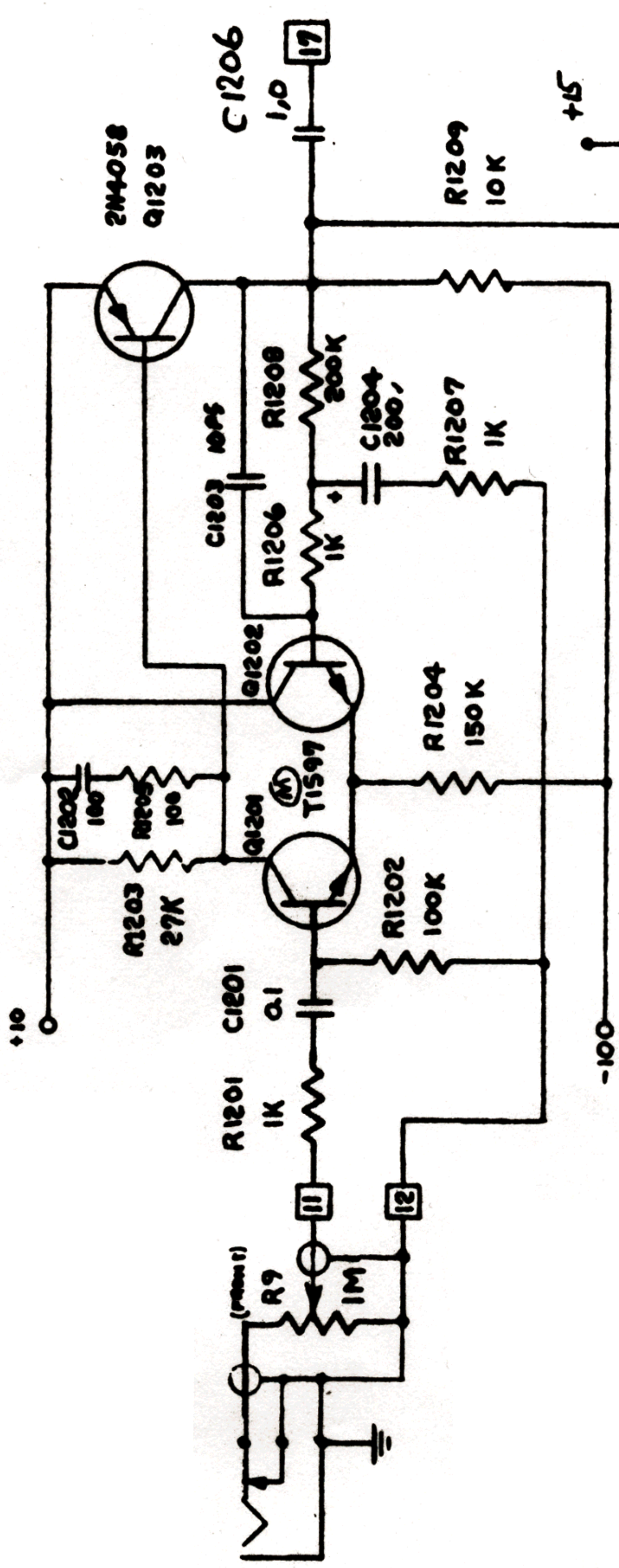


**CIRCUIT 13 BOARD 4**

REVISIONS	R. A. MOOG CO. TRUMANSBURG, NEW YORK		
TITLE	MINI 'D' A440 REF OSC		
SCALE	DR. BY	DWG. NO. 1443	
DATE	CK'D. BY		



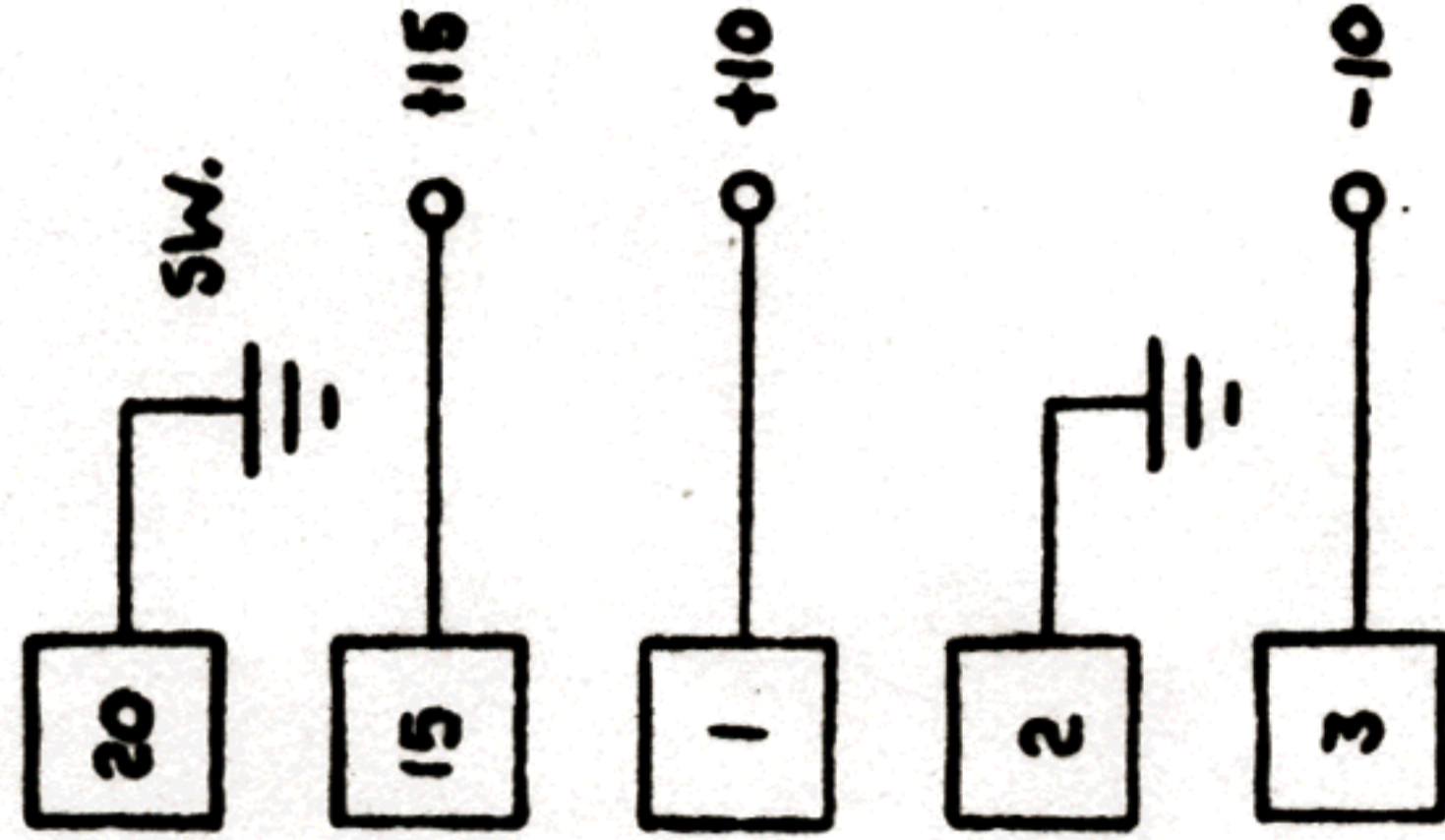
# External Input Preamp



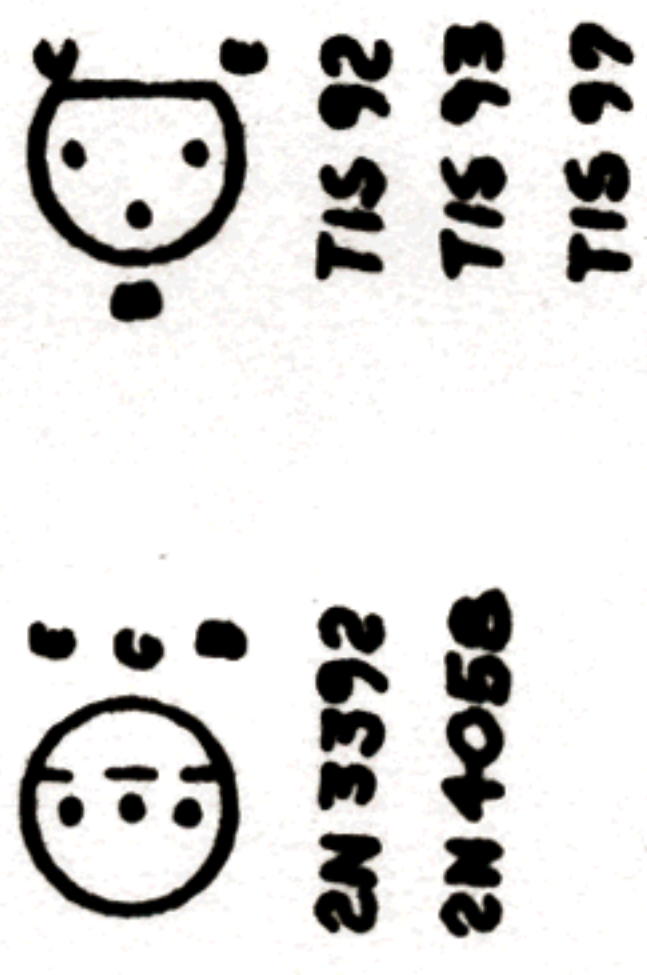
Overload  
Lamp Driver

## NOTES:

- A) RESISTORS IN OHMS.
- B) CAPACITORS IN  $\mu F$ .



### BASE LAYOUT



CONNECTOR COF

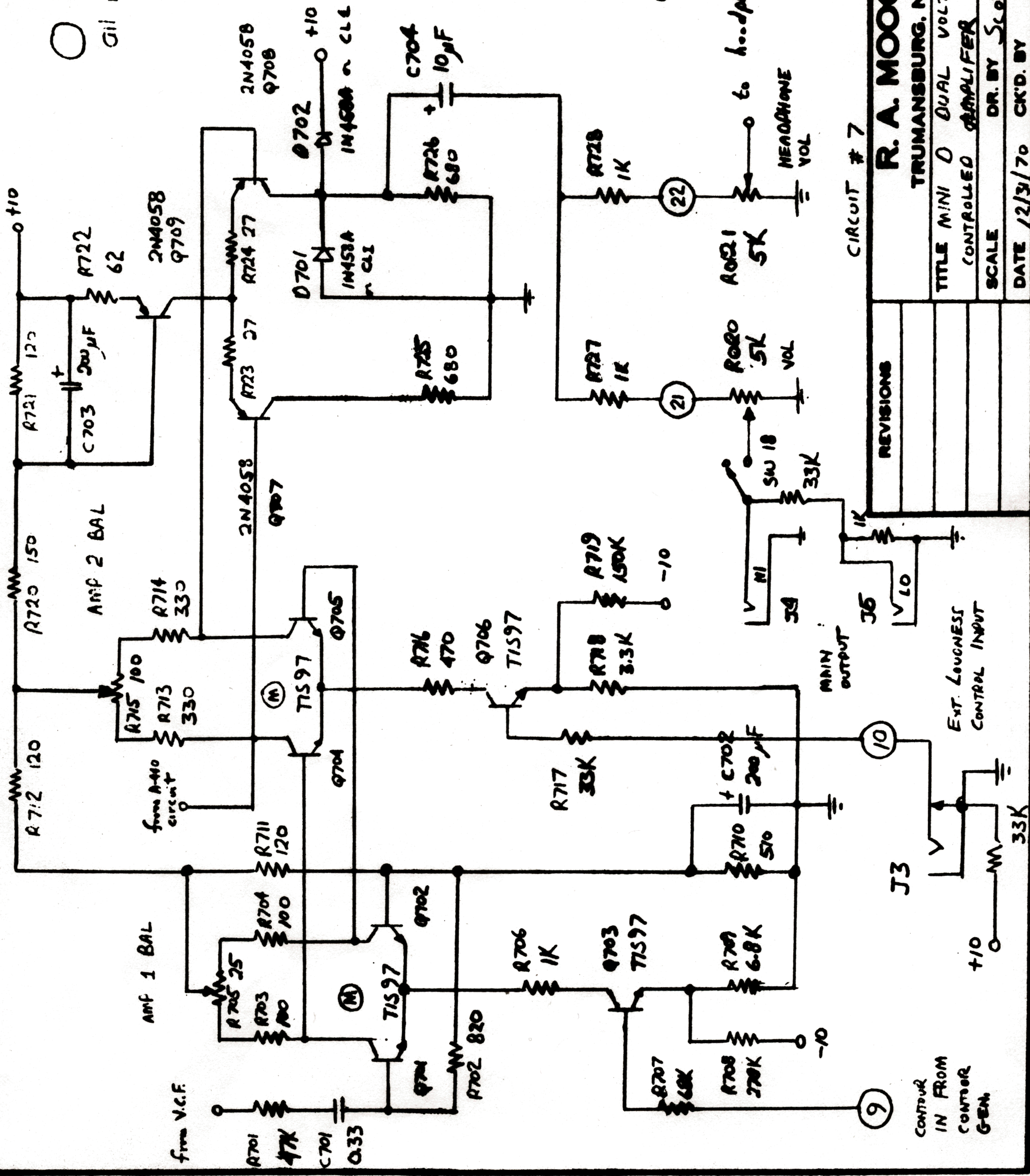
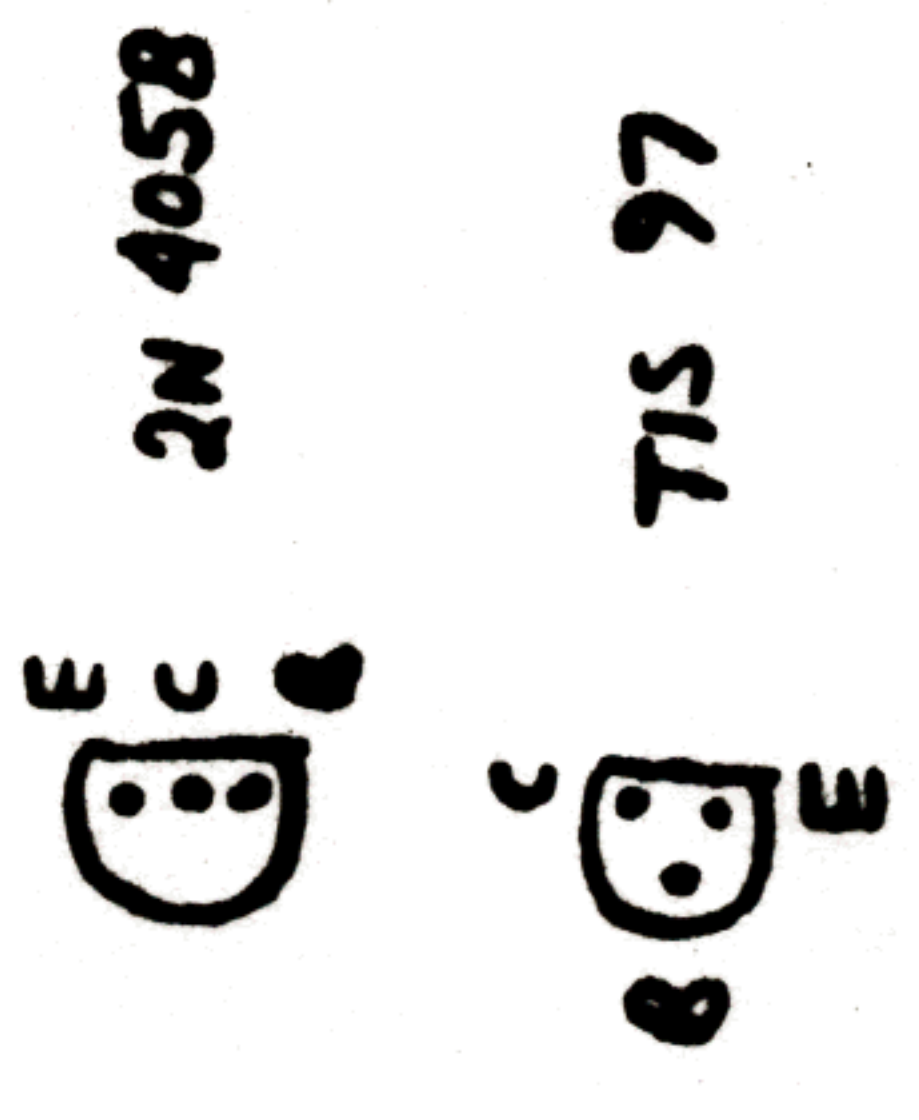
CIRCUIT # 12 BOARD # 4

ECN 033	REVISIONS	R. A. MOOG CO.
	Rev. A Feb. 1971	TRUMANSBURG, NEW YORK
		TITLE MINI SCHEMATIC { EXT. PREAMP FLAME DRIVER
	SCALE —	DR. BY JLA DWG. NO
	DATE 12-70	CHKD BY 1442

edge connector  
Gil resistances in  $\Omega$

- ① +10V
- ② GRND
- ③ -10V

BASE LAYOUTS



**R. A. MOOG CO.**  
 TRUMANSBURG, NEW YORK

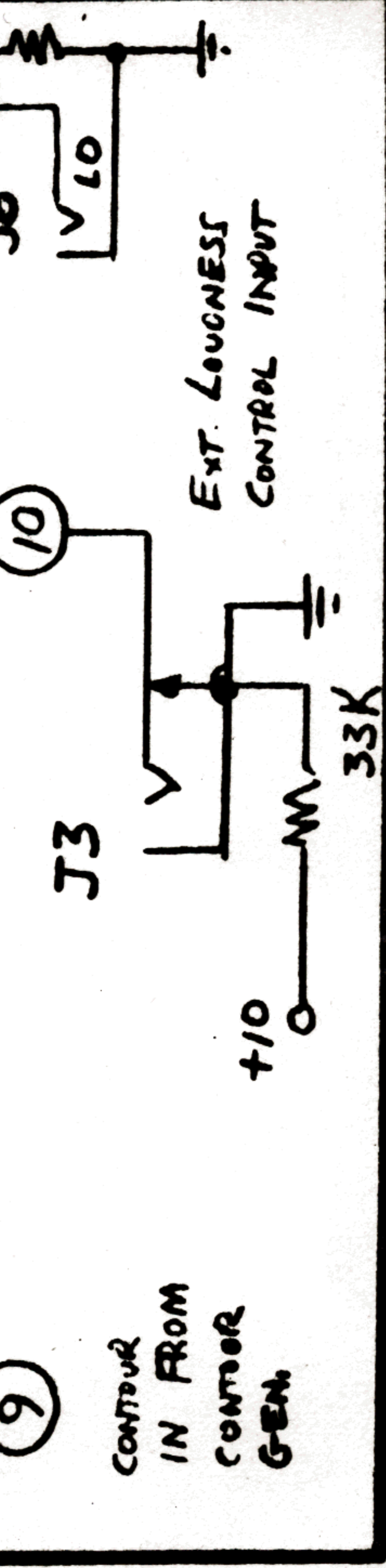
TITLE MINI D DUAL VOLTAGE  
 CONTROLLED AMPLIFIER

SCALE DR. BY SCOTT  
 DATE 12/31/70 CK'D. BY

DWG. NO. 1445

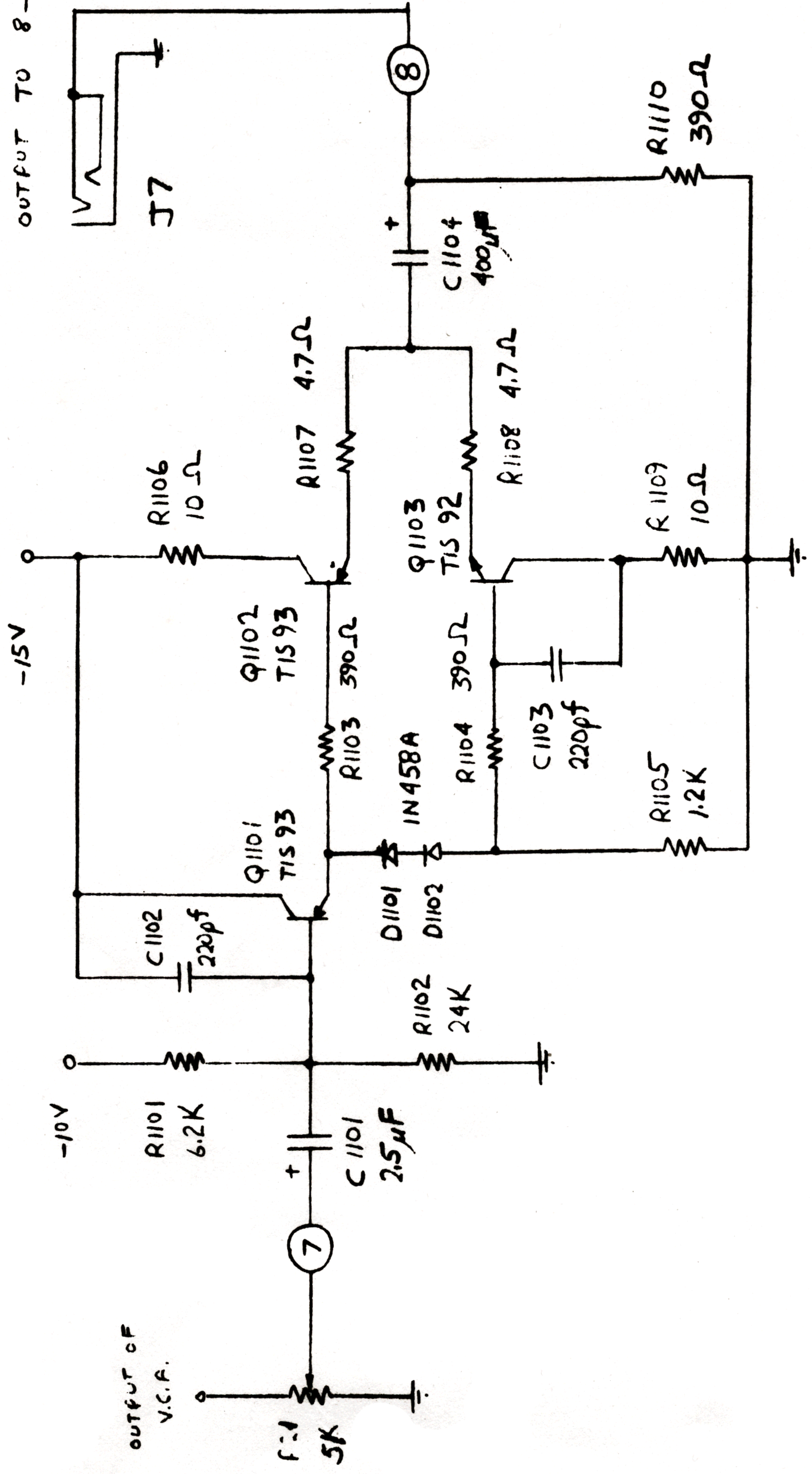
REVISIONS

NO.	DESCRIPTION

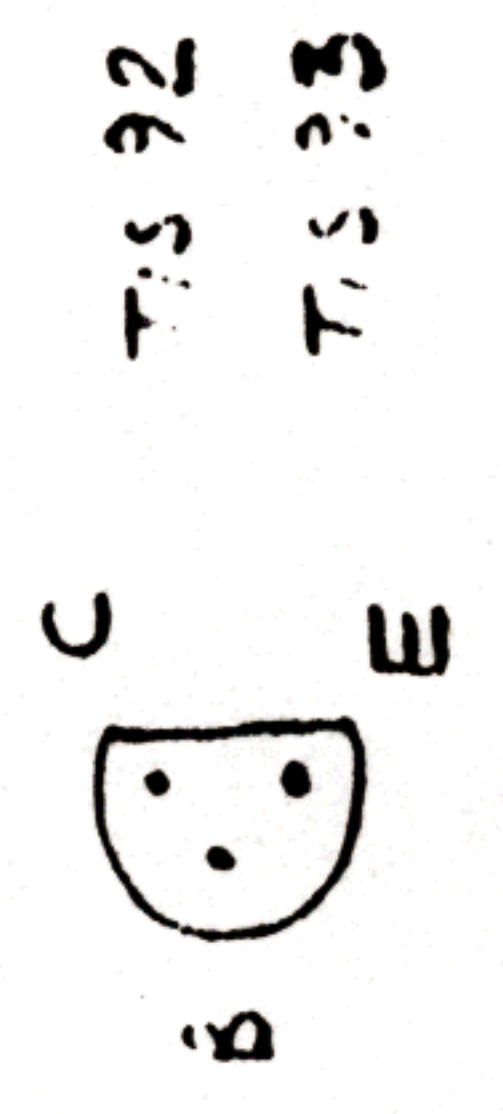




OUTPUT TO 8-Ω STEREO HEADPHONES



BASE LAYOUT

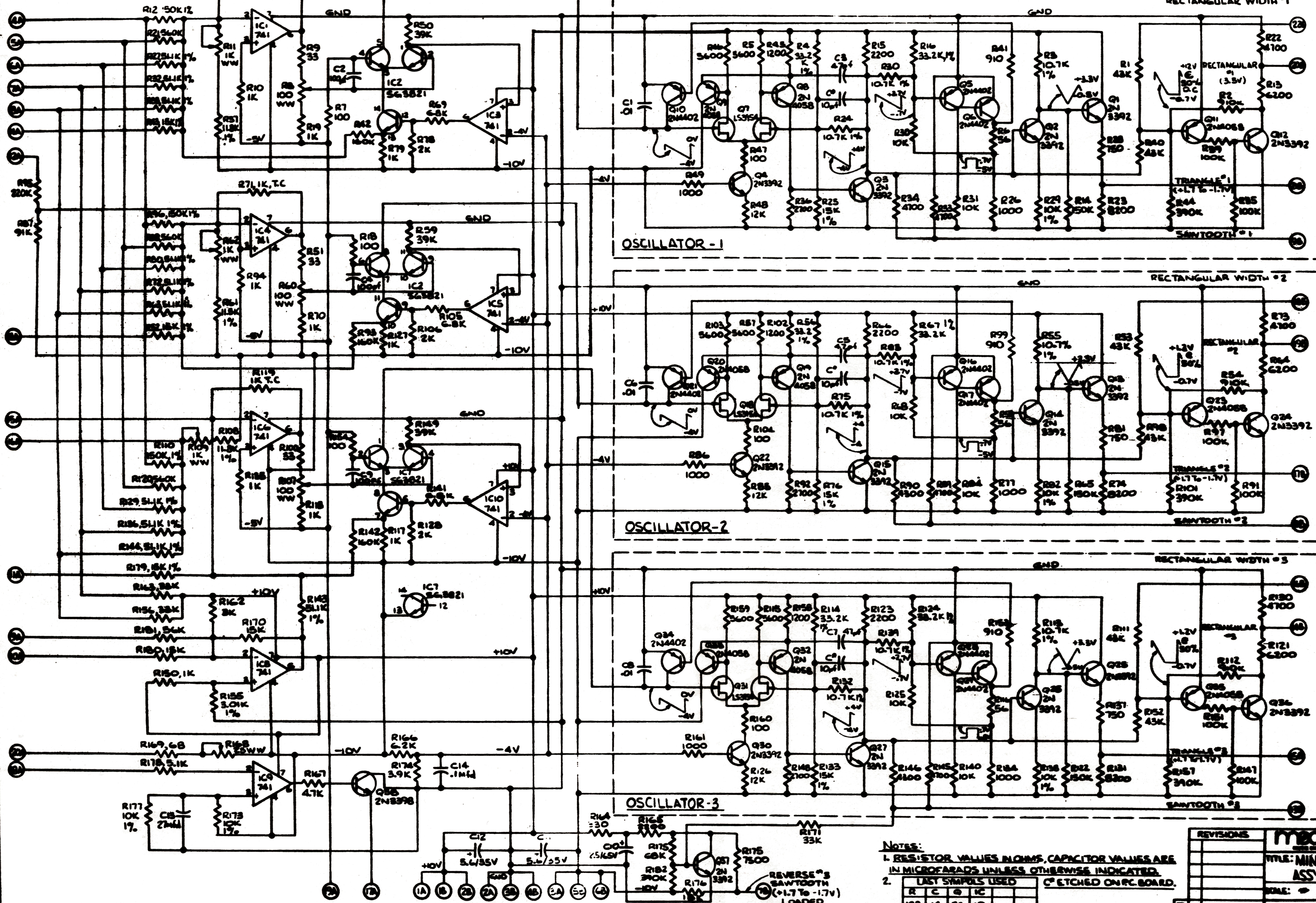


CIRCUIT # 11

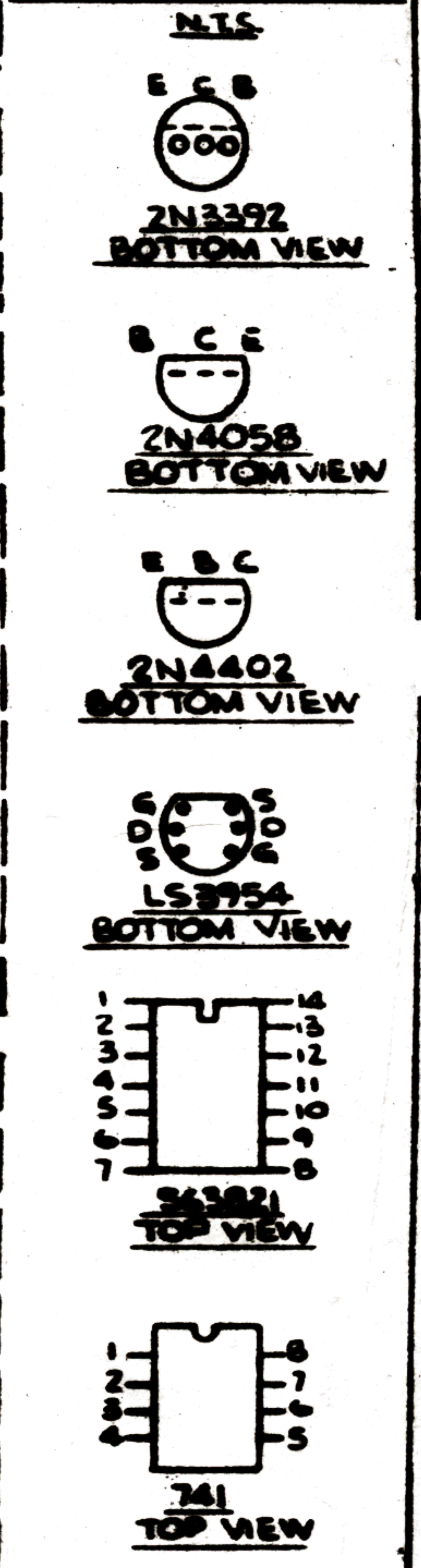
ECARD # 3

<p><b>R. A. MOOG CO.</b> TRUMANSBURG, NEW YORK</p>		<p>SCALE DR. BY JLS</p>	<p>DATE 1/5/70 CK'D. BY</p>	<p>DWG. NO. 1447</p>
<p>REVISIONS</p>				





COMPONENT REE



NOTES:  
 1. RESISTOR VALUES NORMS, CAPACITOR VALUES ARE IN MICROFARADS UNLESS OTHERWISE INDICATED.  
 2. LAST SYMBOL USED C\* ETCHED ON P.C. BOARD.

R	C	IC
182	14	38 10

REVISIONS		m200 WILLAMSBURG, NEW YORK	
		TITLE: MINI D OSCILLATOR PC BRD ASSY SCHEMATIC	
		DATE:	DRY: J. PREISLE DWG. No.
		REV: 4-10-72	DATE: 08-001